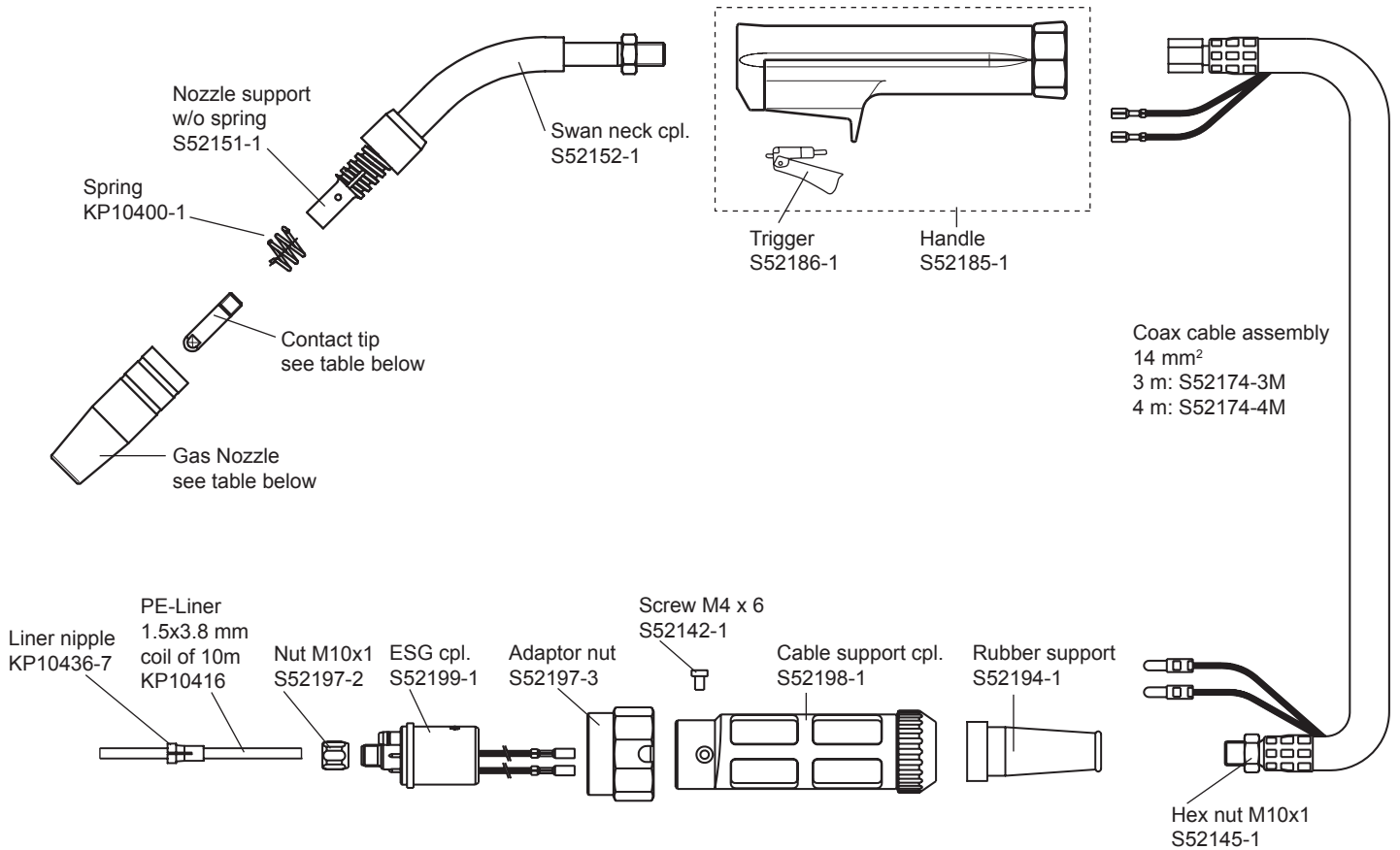


LG 140 G

	Part No.
LG 140 G - 3.0 m	K10413-14-3M
LG 140 G - 4.0 m	K10413-14-4M



	M6 x 25 mm		
	0.6 mm	0.8 mm	1.0 mm
ECu	KP10440-06	KP10440-08	KP10440-10
CuCrZr		KP10440-08C	KP10440-10C
Al (ECu)		KP10440-08A	KP10440-10A

	Ø	Part No.
	12 mm	KP10461-1
	16 mm	KP10460-1
	9.5 mm	KP10461-6
	13 mm	KP10462-1
	16 mm	KP10463-1