

A battery powered, magnetic travel carriage for welding in the vertical or horizontal position.

BUG-GY-VERT

**Increase welding production,
improve weld quality and
eliminate operator fatigue.**



Bug-O Systems

Automated Cutting and
Welding Systems.

www.bugo.com



BUG-GY-VERT

The BUG-GY-VERT is a portable battery powered 4-wheel drive welding carriage with or without torch oscillation. Strong permanent magnets hold the machine on the workpiece allowing it to travel on vertical or oblique work surfaces. Guide wheels on the BUG-GY-VERT automatically track the torch in the fillet joint.

The BUG-GY-VERT is compact, lightweight and easy to position. It will accommodate most hand held welding guns. By providing consistent travel speed the BUG-GY-VERT can increase the productivity and the quality of welding applications in many areas of steel fabrication or shipbuilding.



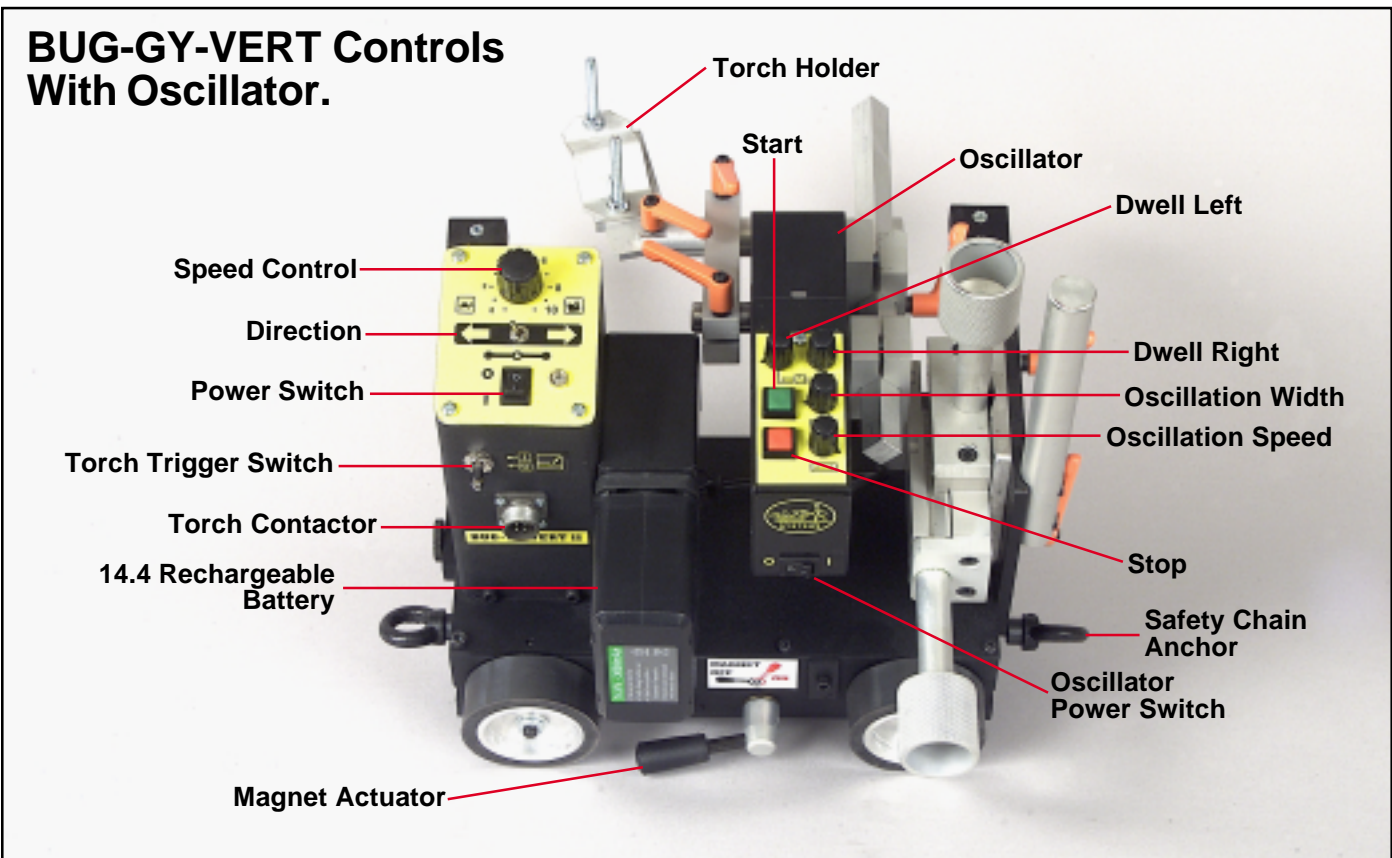
BUG-GY-VERT Without Oscillation

VFW-3150 110 volt - includes 1 battery and 1 charger.
VFW-3152 220 volt - includes 1 battery and 1 charger.



BUG-GY-VERT With Oscillation

VFW-3000 110 volt - includes 1 battery and 1 charger.
VFW-3002 220 volt - includes 1 battery and 1 charger.





BUG-GY-VERT

Technical Data:

Power Supply:	14.4V (2Ah-rechargeable battery)	Weight with Oscillator:	28 lbs. (14 kg.)
Position of Weld:	Vertical & Horizontal	Travel Speed:	2.5-50 ipm (60-1250 mm/min)
Dimensions:	See page 4	Oscillation Width (amplitude):	0-.75" (0-19 mm)
Carriage to Work Clearance:	.25" (6.5 mm)	Oscillation Frequency:	20-60 cycles/min.
Minimum Plate Thickness:	3/16" (5 mm)	Dwell-Independent Each Side:	0-1.5 seconds
Wheel Movement:	4 wheel drive		
Weight without Oscillator:	22 lbs. (11 kg.)		

Vertical carrying capacity varies with material thickness. On 3/8" (9.5 mm) plate, carrying capacity is 20 lbs (9.1 kg).

NOTE: Surface must be clean and unpainted. Cables should be supported independently.

Caution: Always use safety cable when working in the vertical position. Fall arrestor safety cables available. Contact the factory for additional details.

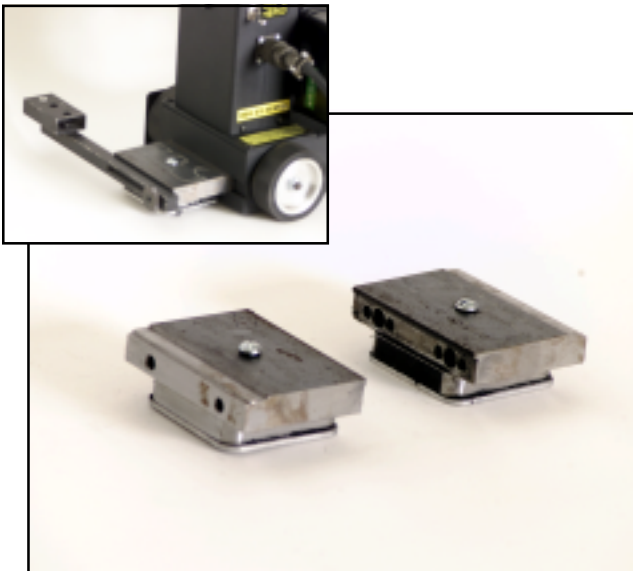
Accessories:



H01134-001-01-02
14.4 volt rechargeable battery.



H01113-001-01-03 110 volt battery charger.
H01113-001-01-02 220 volt battery charger.



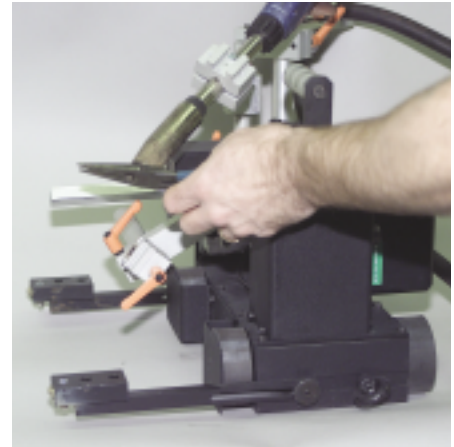
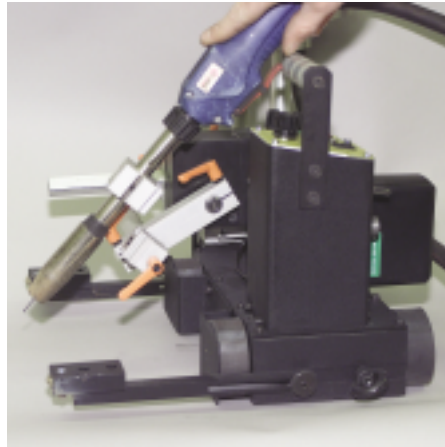
VFW-3210
Auxiliary Magnets
For increased magnetic holding power and traction.



BMV-1510 110 volt Adaptor
BMV-1512 220 volt Adaptor
Power Adaptors - converts machine from battery power to 110 volt or 220 volt line power.

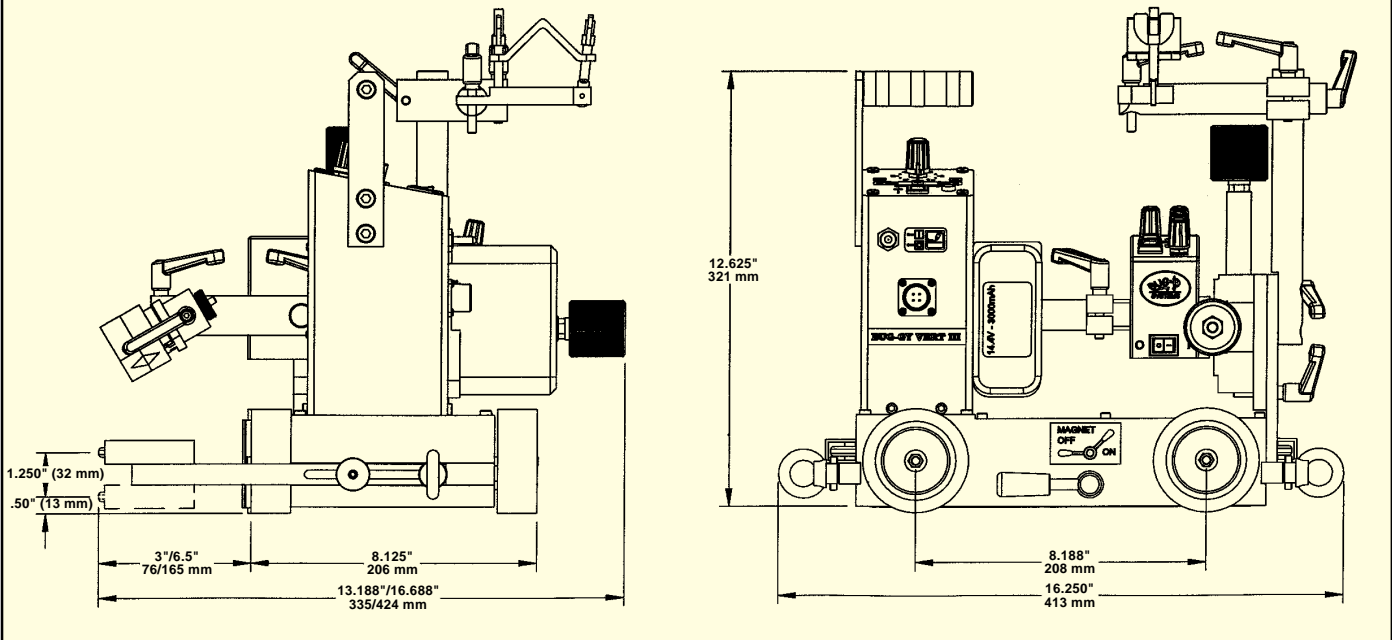


BUG-GY-VERT



The BUG-GY-VERT features "Torch Quick Connect" which allows the operator to easily remove or install the torch from the BUG-GY-VERT for quick nozzle cleaning, wire cutting and hand welding.

Dimensions:



Each unit will be delivered with one (1) battery and charger.



Welding and Cutting Solutions Since 1948.

Bug-O Systems

Visit us online at: www.bugo.com